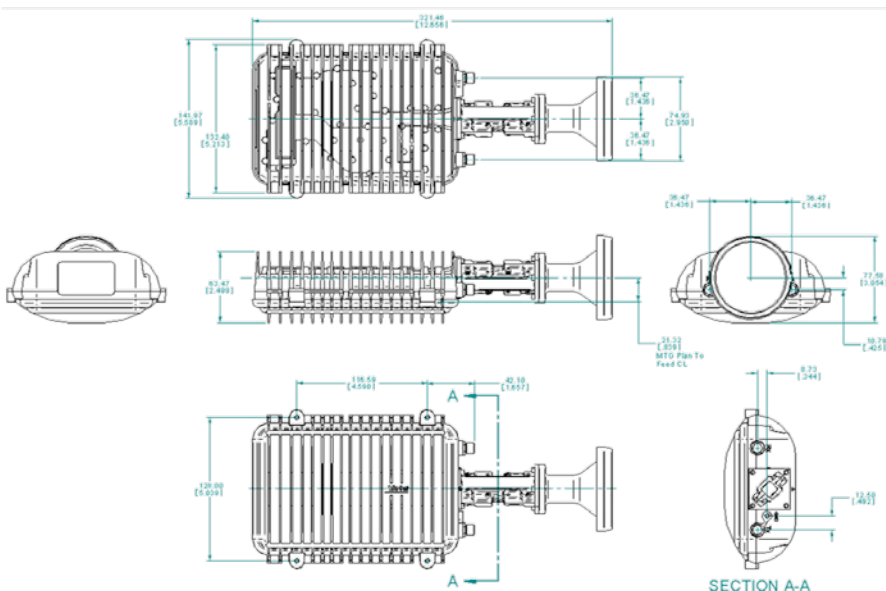




**TRIA AT-A-GLANCE**

- » L-Band to 30 GHz Upconverter
- » 30 GHz 3W Power Amplifier
- » 20 GHz to UHF and L-Band Downconverter
- » 1.5 dB LNA receiver front end
- » Single Cable (Tx + Rx) interface to SurfBeam 2 Indoor Unit
- » Plus optional standard L-Band IF (on second IF Port)
- » Built in Test
- » Monitor and Control
- » Integral antenna peaking / alignment audio indicator
- » Gain Temp compensated
- » Fully integrated OMT to accommodate LHCP and RHCP
- » Integrated polarization switch can be switched remotely



## SPECIFICATIONS

### TRANSMIT

<b>Transmit Frequency Range</b>	29,5 – 30,0 GHz
<b>HPA Output Power P1dB</b>	35 dBm
<b>Small Signal Gain</b>	56 dB
<b>SSB Phase Noise at 10KHz Offset</b>	-83 dBc/Hz
<b>Transmit IF</b>	1,800 – 2,300 MHz

### RECEIVE

<b>Receive Frequency Range</b>	19,7 – 20,2 GHz
<b>LNA Noise Figure</b>	1,2 dB
<b>Small Signal Gain</b>	55 dB
<b>SSB Phase Noise at 10KHz Offset</b>	-87 dBc/Hz
<b>Receive IF</b>	
» Port 1:	300 – 800 MHz
» Port 2:	1,000 - 1,500 MHz

## PART NUMBERS

- » X0101700A001
- » X0101700A002
- » X0101700B003

	MINIMUM	TYPICAL	MAXIMUM	UNITS
Voltage (IF port)	24		57	VDC
DC Power Consumption (at P1dB)		44	52	W
Operating Temperature	-40		+55	°C
Humidity (Condensing)	0		100	%
Weight		3.1		kg
RF Transmit Output Interface	RF Transmit Output Interface			
RF Receive Input Interface	Feed Horn matched to antenna reflector			
IF Connector(s)	Type "F"			
Dimensions (Length, Width, Height incl. heatsink)	321 mm x 142 mm x 77 mm			
Reliability MTBF (at 30 C Ambient)	>100,000 hrs			



## CONTACT

1388 North Tech Blvd, Gilbert, AZ 85233

### SALES

**TEL** 480.503.5500 **FAX** 480.503.5501 **EMAIL** commercialmicrowaveproducts@viasat.com **WEB** www.viasat.com

